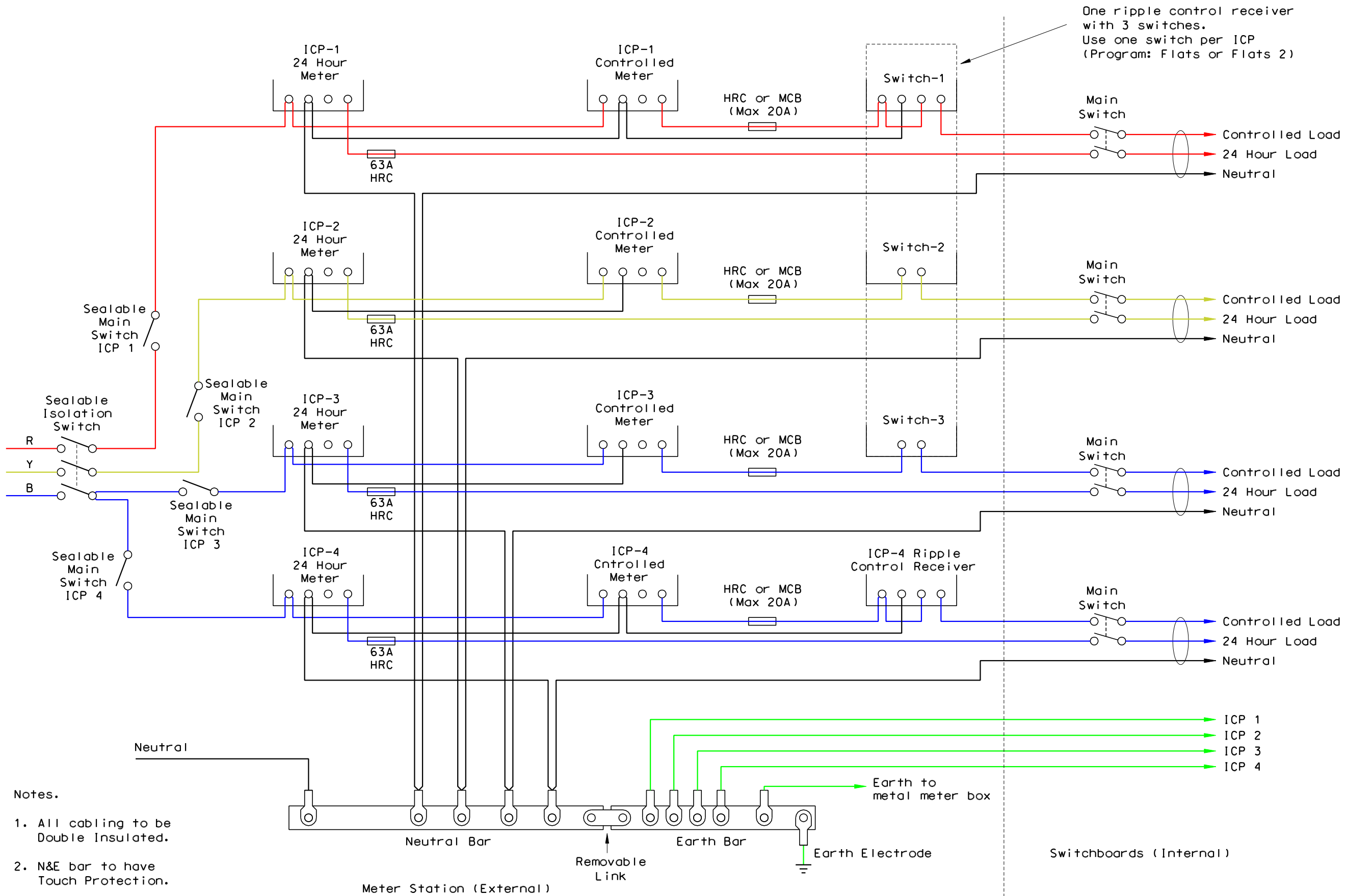


Standard Meter Station / Main Switchgear Diagram Plan 4



One ripple control receiver with 3 switches. Use one switch per ICP (Program: Flats or Flats 2)

- Notes.
1. All cabling to be Double Insulated.
 2. N&E bar to have Touch Protection.

Rev	Amendments	By	Checked	Date
B	Add Main Switch	CP	G.C.	2/06/10
C	Move fuses to load side of meter	CP	M.G.	28/02/14

Title: Installation with more than 3 ICP's. Three phase service Main and Combined meter board.
 Scale: NTS
 Sheet size: A4

Drawn	C. Parkes	Date	10/01/03
Checked	R. Watson	Date	5/07/05
Approved	S. Lowe	Date	5/07/05
Issue	C	Date	5/03/14
Plan Number	2G228s10		
Reference A3/10641			